

# BMW X3 2010 service repair manual

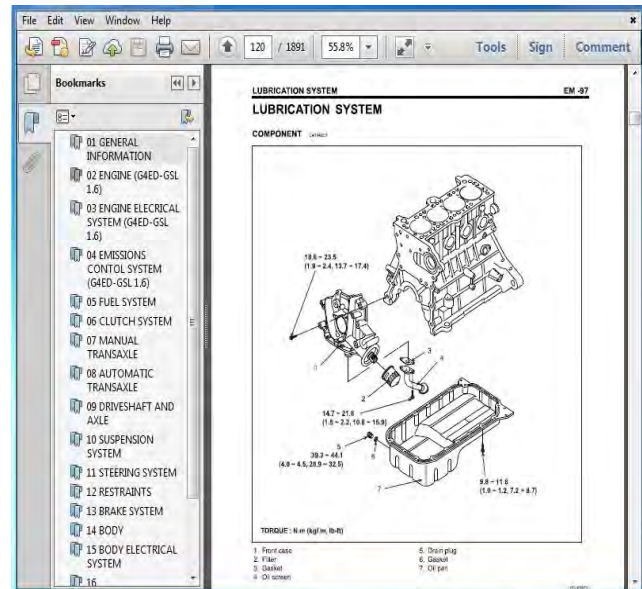
[DOWNLOAD HERE](#)

Model covered: **BMW X3 2010**

## Contain of manual:

Introduction  
Service Specifications  
Engine Control System  
Fuel  
Emission Control  
Engine Mechanical  
Exhaust  
Cooling  
Lubrication  
Ignition  
Starting and Charging  
Suspension  
Wheel and Tire  
Drive Shafts  
Brakes Automatic  
Transmission

Manual Transmission  
Clutch  
Steering Column  
Power Steering  
HVAC  
Lighting  
Wiper and Washer  
Audio and Visual System  
Communication System  
Windows and Mirrors  
Instrument Panel  
Seats  
Anti-Theft Door Locks  
Exterior and Interior Trim  
Vehicle Control System  
Maintenance  
Wiring Diagrams



\*\*\*\*\*

File Format: PDF

Compatible: All Versions of Windows & Mac

Language: English

Requirements: Adobe PDF Reader

\*\*\*\*\*

[CLICK HERE TO INSTANT  
DOWNLOAD THE MANUAL](#)

Similar manuals:

***BMW E60 M5 2005-2007 Service Repair Manual***  
***BMW X3 2009 Service Repair Manual***  
***BMW X5 2010 Service Repair Manual***  
***BMW X6 2009 Service Repair Manual***  
***Bmw z3 1997 Service Repair Manual***  
***Bmw z3 2000 Service Repair Manual***

TAGS: BMW X3 2010 repair manual, BMW X3 2010 service manual, service repair manual, wiring diagrams, manual download, online, manual pdf, maintenance