

BMW X3 2009 service repair manual

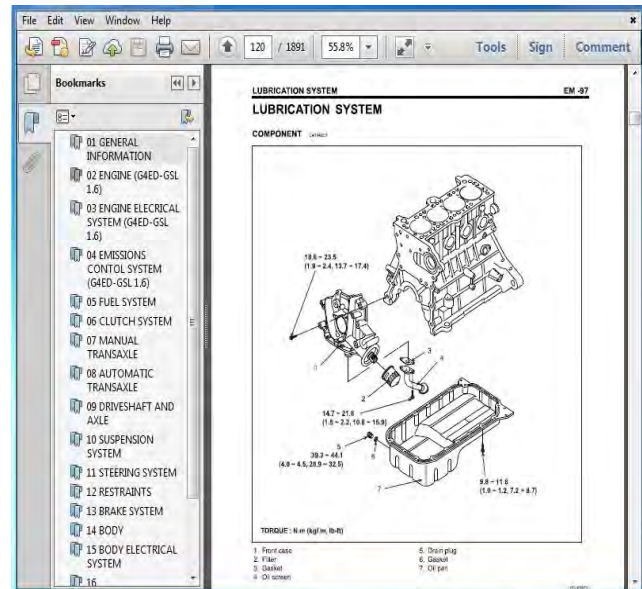
[DOWNLOAD HERE](#)

Model covered: **BMW X3 2009**

Contain of manual:

Introduction
Service Specifications
Engine Control System
Fuel
Emission Control
Engine Mechanical
Exhaust
Cooling
Lubrication
Ignition
Starting and Charging
Suspension
Wheel and Tire
Drive Shafts
Brakes Automatic
Transmission

Manual Transmission
Clutch
Steering Column
Power Steering
HVAC
Lighting
Wiper and Washer
Audio and Visual System
Communication System
Windows and Mirrors
Instrument Panel
Seats
Anti-Theft Door Locks
Exterior and Interior Trim
Vehicle Control System
Maintenance
Wiring Diagrams



File Format: PDF

Compatible: All Versions of Windows & Mac

Language: English

Requirements: Adobe PDF Reader

[CLICK HERE TO INSTANT
DOWNLOAD THE MANUAL](#)

Similar manuals:

BMW E60 M5 2005-2007 Service Repair Manual

BMW X3 2010 Service Repair Manual

BMW X5 2010 Service Repair Manual

BMW X6 2009 Service Repair Manual

Bmw z3 1997 Service Repair Manual

Bmw z3 2000 Service Repair Manual

TAGS: BMW X3 2009 repair manual, BMW X3 2009 service manual, service repair manual, wiring diagrams, manual download, online, manual pdf, maintenance