

2011 Audi Q5 service repair manual

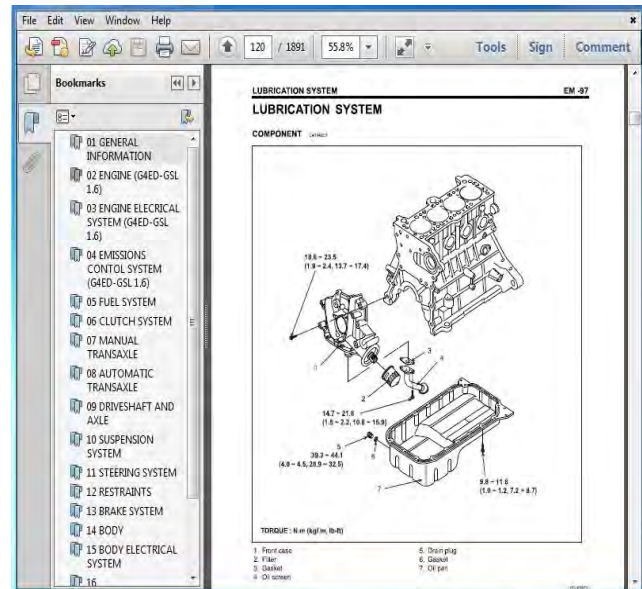
[DOWNLOAD HERE](#)

Model covered: **Audi Q5 2011**

Contain of manual:

Introduction
Service Specifications
Engine Control System
Fuel
Emission Control
Engine Mechanical
Exhaust
Cooling
Lubrication
Ignition
Starting and Charging
Suspension
Wheel and Tire
Drive Shafts
Brakes Automatic
Transmission

Manual Transmission
Clutch
Steering Column
Power Steering
HVAC
Lighting
Wiper and Washer
Audio and Visual System
Communication System
Windows and Mirrors
Instrument Panel
Seats
Anti-Theft Door Locks
Exterior and Interior Trim
Vehicle Control System
Maintenance
Wiring Diagrams



File Format: PDF

Compatible: All Versions of Windows & Mac

Language: English

Requirements: Adobe PDF Reader

[CLICK HERE TO INSTANT
DOWNLOAD THE MANUAL](#)

Similar manuals:

Audi Q7 2012 Repair Manual on pdf
Audi Q7 2011 Repair Manual on pdf

TAGS: Audi Q5 2011 repair manual,Audi Q5 2011 service manual,service repair manual,wiring diagrams>manual download,online>manual pdf,maintenance